

“Electronic Components Synthesis”, Ltd.

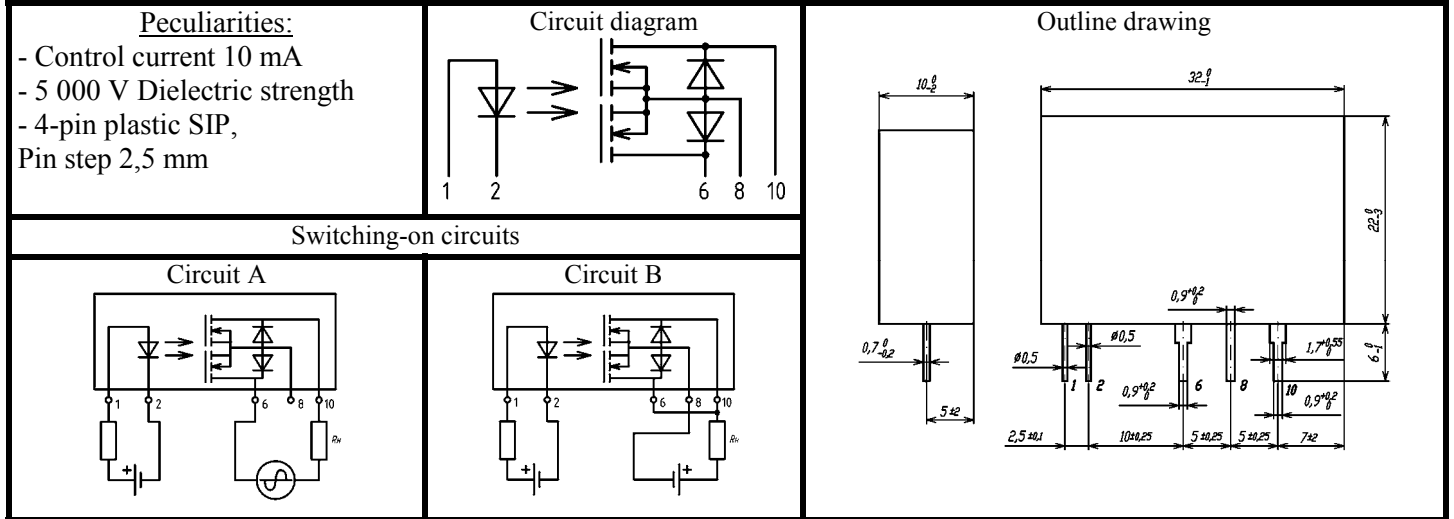
“SYNTEC”

Russia, 302020, Orel, Naugorskoe shosse, 5.

Tel./Fax: (4862) 45-53-20, E-mail: syntec@orel.ru, www.syntec.orel.ru

Optoelectronic module 9C5.0A60II4 60V / 5A

ИКАИИ.431156.003TY ГК



ELECTRICAL PARAMETERS $T_{amb} = 25^\circ\text{C}$

Parameter name	Sign	Unit	Value			Measurement mode
			Min.	Typ.	Max.	
Input Voltage	U_i	V	2,1		3,0	$I_i=10\text{mA}$
Output Resistance in ON condition	R_{ON}	Ohm			0,056	$I_i=10\text{mA}; I_o=5\text{A}; t=1\text{sec.}$
Output Leakage Current in OFF condition	I_{leak}	μA		0,2	100	$U_i=0,8\text{V}; U_o=60\text{V}$
Dielectric Strength: Input-Output	$U_{diel.s}$	V	5000			$t=1\text{min.}$
Insulation Resistance	R_{ins}	Ohm		10^{11}		$U_{diel.s}=500\text{V}$
Turn-on time	t_{on}	ms		7	10	$U_o=60\text{V}; R_l=1\text{kOhm}; C_l=25\text{pF}; I_i=10\text{mA}$
Turn-off time	t_{off}	ms		1	2	

PERMISSIBLE OPERATING CONDITIONS

Condition parameters	Units	Min.	Max.	Note	
Input on-state Current	mA		25		
Peak Input Current	mA		150	$t_i < 100\mu\text{s}$	
Input off-state Voltage	V	-3,5	0,8		
Operating Voltage	V	-60	60		
Irms	Circuit A	A	-5,0	5,0	$T_{amb}=25^\circ\text{C}; I_i=10\text{mA}$
	Circuit B			10	
Temperature coefficient of max. Irms	Circuit A	mA/°C	-31		$25^\circ\text{C} < T_{amb} \leq 85^\circ\text{C}; I_i=10\text{mA}$
	Circuit B		-62		
Pulse Load Current	Circuit A	A	-38	38	$T_{amb}=25^\circ\text{C}; I_i=10\text{mA}; t=200\text{ms}; \text{Duty Cycle}=50\%$
	Circuit B			70	
Temperature coefficient of max. Pulse Load Current	Circuit A	mA/°C	-235		$25^\circ\text{C} < T_{amb} \leq 85^\circ\text{C}; I_i=10\text{mA}$
	Circuit B		-470		
Operating Temperature Range	°C	-45	85		